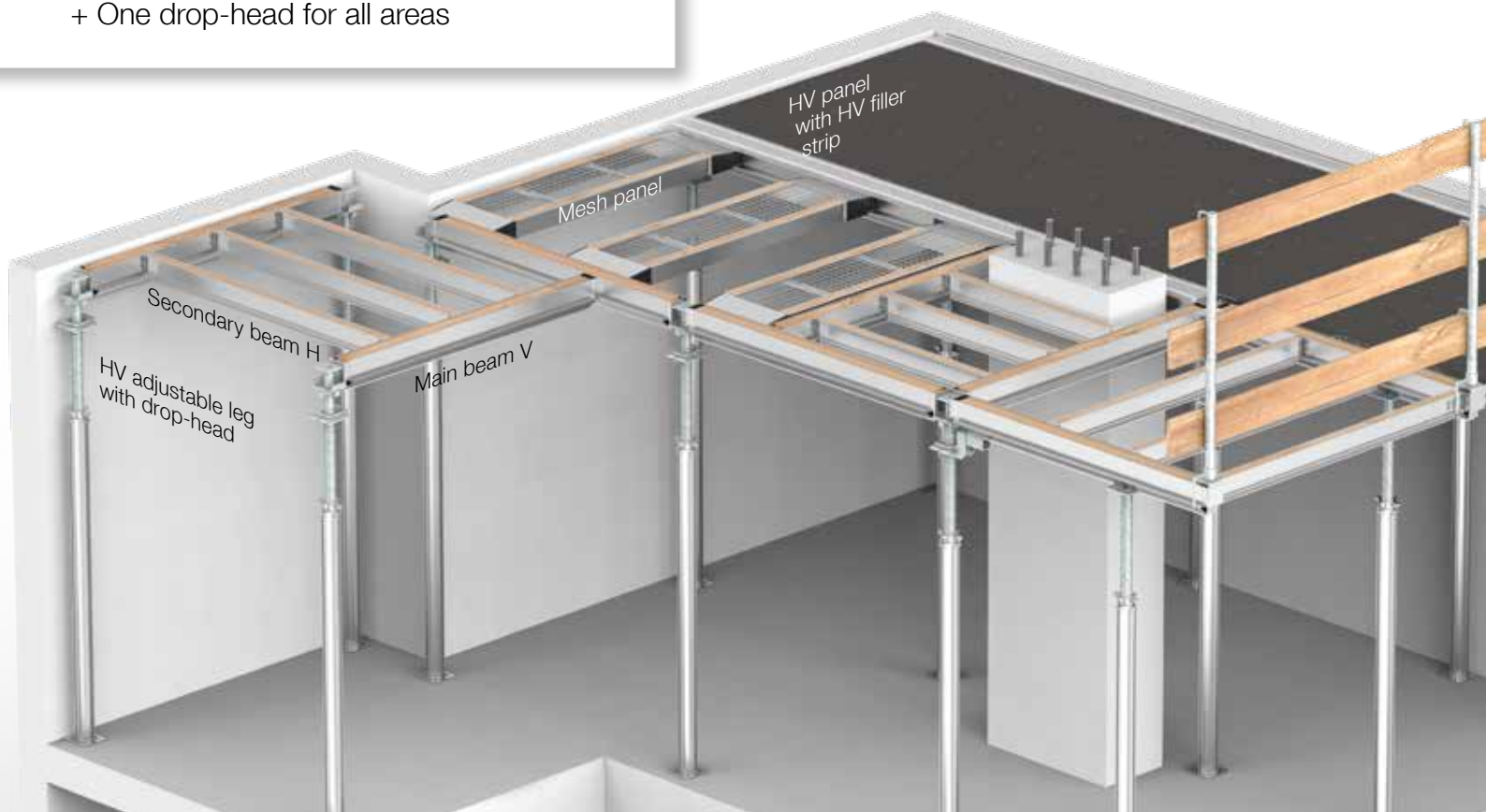


TITAN HV slab form-work system – there's no faster way.

System components solve the problem of time-consuming make-up panels.

- + Just a few system components
- + All system components fully compatible with each other
- + Junction with wall possible on any side
- + Openings and penetrations trimmed with system components
- + One drop-head for all areas

*with verified
typical
calculations*

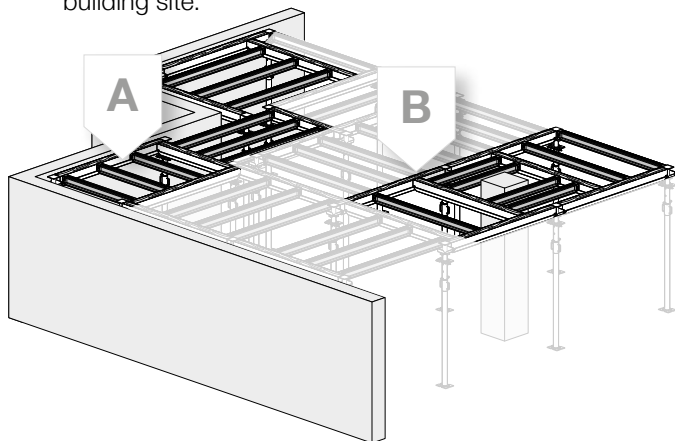


ISCHEBECK[®]
TITAN

Flexible formwork system with main and secondary beams

In the TITAN HV system the main beams (V) and secondary beams (H) lie in the same plane. This is possible because the secondary beams are simply hooked onto support ledges on the main beams and drop-heads.

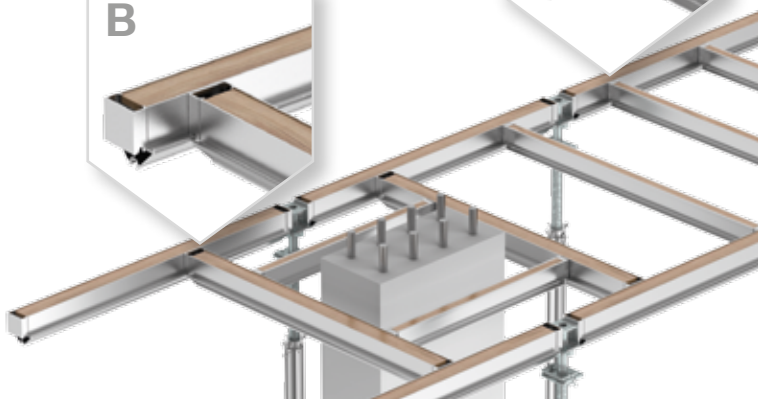
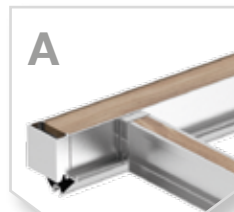
- That means no wasteful overlapping of beams.
- The beams form an interlocking grid that is stable in itself – even without any sheeting.
- The low number of components simplifies logistics and avoids unnecessary searches for parts on the building site.



Fits any plan shape – openings and penetrations trimmed with system components

Secondary beams (H) are simply hooked onto main beams (V) to cover a whole area very quickly (detail A).

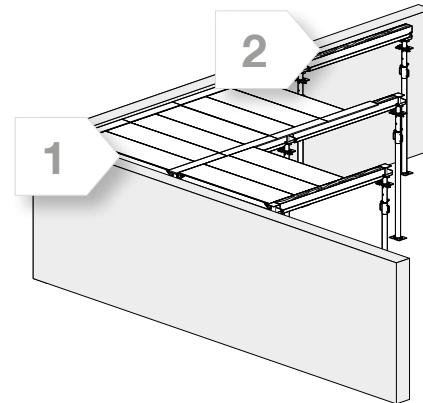
And by changing the direction of span (main beams are simply hooked onto other main beams), the grid of beams can be varied to suit any plan shape (detail B). Formwork around openings, columns, wallpiers, make-up areas, curved walls, etc. is easily built with system components.



Formwork right up to the wall with HV panels

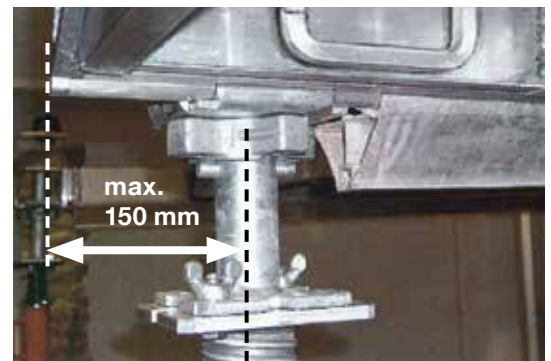
The HV panel consists of a lightweight aluminium frame with integral GFRP sheeting. It is hooked between the main beams and therefore permits the erection and striking of formwork from below according to the regulations. HV panels can be combined with all other system components.

Make-up panels are constructed from 21 mm sheeting.



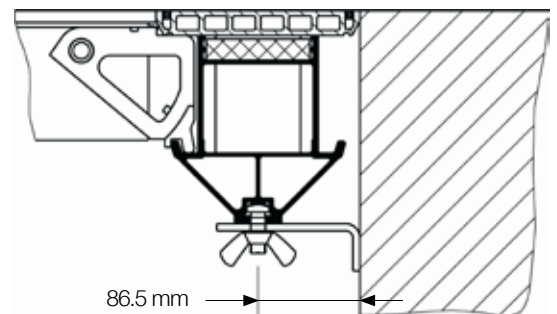
1 Wall junction – panel

A panel can be slid up to 150 mm beyond the drophead axis to create a tight junction with the wall.



2 Wall junction – main beam

The wall spacer determines the position of the beam. Laying the formwork can then begin directly adjacent to the wall.



For further information simply call us on +49 2333 8305-0 or send an e-mail to info@ischebeck.de.